

Simple File Input And Output

Types of Java Files

Simple File Output in Java

Simple File Input in Java

James Tam

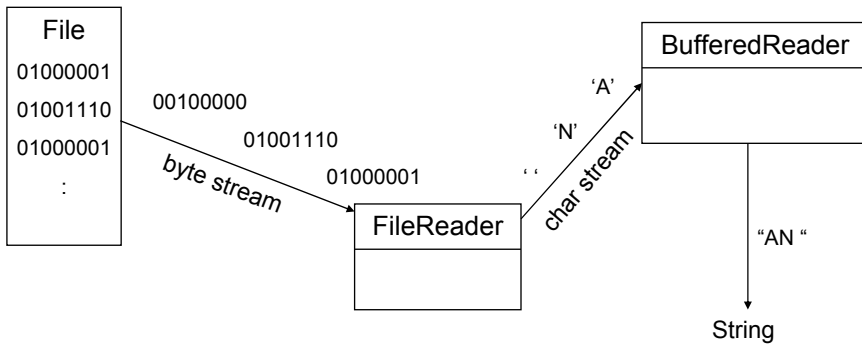
Storing Information On Files

Types of files

- Text files
- Binary files

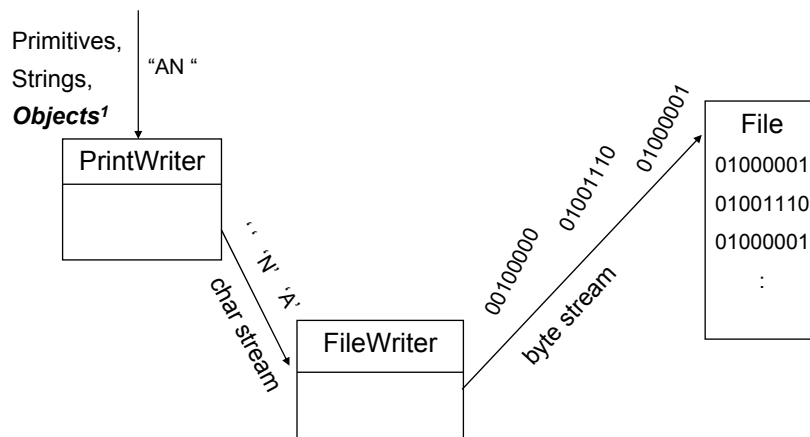
James Tam

Reading Text Input From A File



James Tam

Writing Text Output To A File



¹ By objects we of course mean references to objects

James Tam

An Example Of Simple Input And Output

The full example can be found in Unix in the directory:
`/home/233/examples/fileIO`

James Tam

Class IntegerWrapper

```
class IntegerWrapper
{
    private int num;

    public IntegerWrapper ()
    {
        num = (int) (Math.random() * 100);
    }
    public void setNum (int newValue)
    {
        num = newValue;
    }
    public int getNum ()
    {
        return num;
    }
}
```

James Tam

Class SimpleIO

```
import java.io.*;

class SimpleIO
{
    public static void main (String [] argv)
    {
        IntegerWrapper iw1 = new IntegerWrapper ();
        IntegerWrapper iw2 = new IntegerWrapper ();
        String filename = "data";
        PrintWriter pw;
        FileWriter fw;
        BufferedReader br;
        FileReader fr;
```

James Tam

Class SimpleIO (2)

```
try
{
    fw = new FileWriter (filename);
    pw = new PrintWriter (fw);

    System.out.println("Written to file: " + iw1.getNum());
    pw.println(iw1.getNum());
    System.out.println("Written to file: " + iw2.getNum());
    pw.println(iw2.getNum());
    pw.close();
```

James Tam

Class SimpleIO (3)

```
fr = new FileReader(filename);  
br = new BufferedReader(fr);  
System.out.println("Read from file: " + br.readLine());  
System.out.println("Read from file: " + br.readLine());  
}
```

James Tam

Class SimpleIO (4)

```
catch (IOException e)  
{  
    e.printStackTrace();  
}  
}
```

James Tam

Reading Until The End-Of-File Is Reached

```
String filename = "data";
BufferedReader br = null;
FileReader fr = null;
String temp = null;

try
{
    fr = new FileReader(filename);
    br = new BufferedReader(fr);
    temp = br.readLine ();
    while (temp != null)
    {
        : : :
        temp = br.readLine ();
    }
}
: : :
```

James Tam

Checking For More Specific Error Types

```
String filename = null;
BufferedReader br;
FileReader fr;
boolean fileError = true;

while (fileError == true)
{
    try
    {
        System.out.print("Enter name of input file: ");
        filename = Console.in.readWord();

        fr = new FileReader(filename);
        br = new BufferedReader(fr);
        : :
        fr.close ();
        fileError = false;
    }
}
```

James Tam

Checking For More Specific Error Types (2)

```
catch (FileNotFoundException e)
{
    System.out.println("File called " + filename +
        " not in the current directory");
}
catch (IOException e)
{
    System.out.println("General file input error occurred.");
    e.printStackTrace();
}
}
```

James Tam

You Should Now Know

How to write to files with Java classes

- FileWriter
- PrintWriter

How to reading text information from files with Java classes

- FileReader
- BufferedReader

James Tam