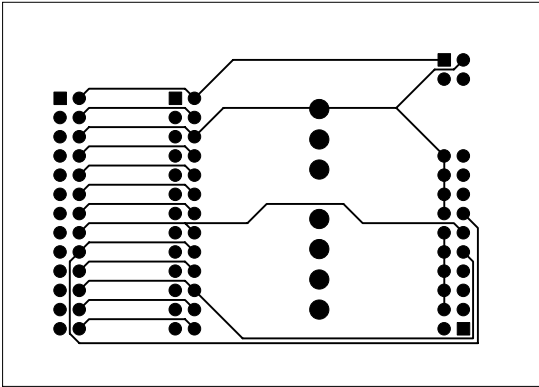
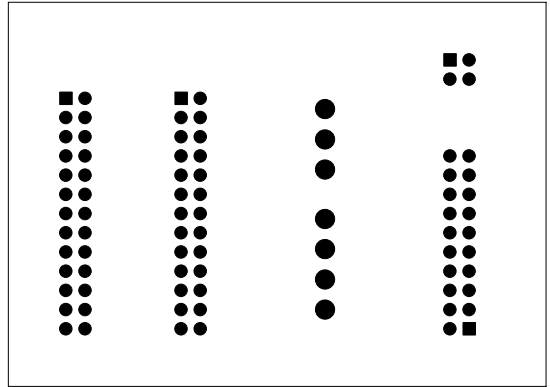


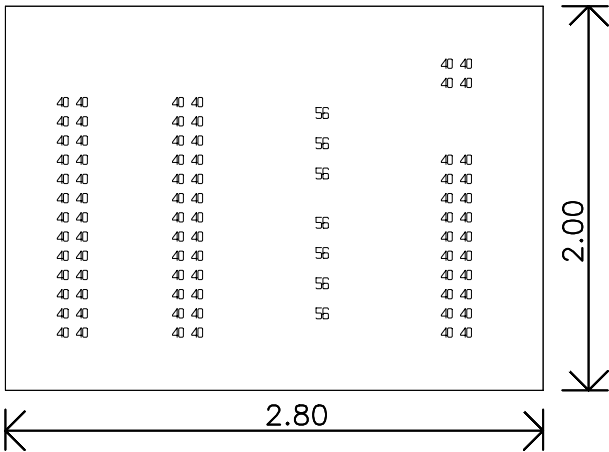
BOTTOM LAYER



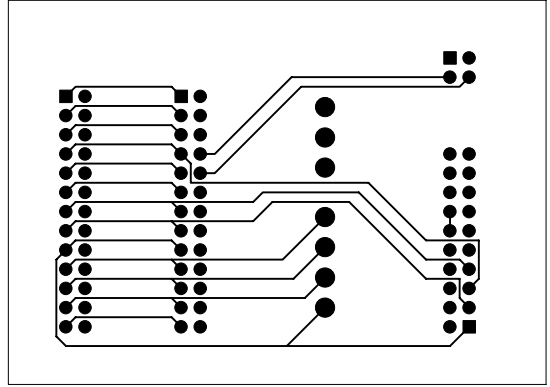
BOTTOM SOLDER MASK



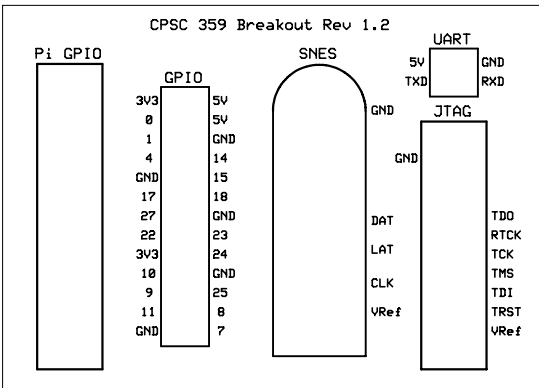
ROUT&DRILL



TOP LAYER



TOP OVERLAY



TOP SOLDER MASK

